



TUBE TOOLS

SLUGGING WRENCHES



SHINGARETM
INDUSTRIES PVT LTD

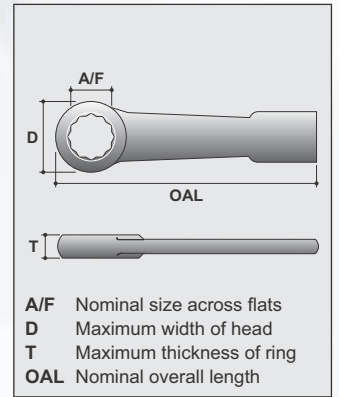
MANUFACTURER & EXPORTER OF

Tube Cleaners, Tube Tools, Tube Expanders,
Bolting Tools, Impact Sockets, Pipe Beveling Machines,
Pipe Cold Cutting Machines, High Pressure
Water Jet Cleaning Machines & Tapping Machines

SLUGGING / STRIKING WRENCHES



TUBE TOOLS



STRAIGHT RING TYPE :

METRIC BIHEXAGON

MODEL NO.	A/F mm	T mm	D mm	OAL mm	Wt. lbs.
SMSW22	22	18.0	48.0	182.0	0.610
SMSW23	23	18.0	48.0	182.0	0.610
SMSW24	24	18.0	48.0	182.0	0.610
SMSW25	25	18.0	48.0	182.0	0.590
SMSW26	26	18.0	48.0	182.0	0.590
SMSW27	27	18.0	48.0	182.0	0.590
SMSW28	28	18.0	54.0	185.0	0.580
SMSW29	29	18.0	54.0	185.0	0.560
SMSW30	30	18.0	54.0	185.0	0.550
SMSW31	31	18.0	54.0	185.0	0.540
SMSW32	32	18.0	54.0	185.0	0.550
SMSW33	33	18.0	54.0	185.0	0.540
SMSW34	34	18.0	54.0	185.0	0.540
SMSW35	35	18.0	54.0	185.0	0.540
SMSW36	36	22.0	64.0	215.0	1.060
SMSW37	37	22.0	64.0	215.0	1.060
SMSW38	38	22.0	64.0	215.0	1.040
SMSW39	39	22.0	64.0	215.0	1.030
SMSW40	40	22.0	64.0	215.0	1.030
SMSW41	41	22.0	64.0	215.0	1.030
SMSW42	42	22.0	64.0	215.0	1.020
SMSW43	43	25.0	76.0	238.0	1.480
SMSW44	44	25.0	76.0	238.0	1.470
SMSW45	45	25.0	76.0	238.0	1.430
SMSW46	46	25.0	76.0	238.0	1.400
SMSW47	47	25.0	76.0	238.0	1.380
SMSW48	48	25.0	80.0	240.0	1.360
SMSW49	49	25.0	80.0	240.0	1.350
SMSW50	50	25.0	80.0	240.0	1.340
SMSW51	51	25.0	80.0	240.0	1.400
SMSW52	52	25.0	80.0	240.0	1.400
SMSW54	54	25.0	80.0	240.0	2.350
SMSW55	55	28.0	88.0	262.0	2.320
SMSW56	56	28.0	88.0	262.0	2.325
SMSW57	57	28.0	88.0	262.0	2.310
SMSW58	58	28.0	88.0	262.0	2.300
SMSW59	59	28.0	94.0	265.0	2.250
SMSW60	60	28.0	94.0	265.0	2.140
SMSW61	61	28.0	94.0	265.0	2.140

METRIC BIHEXAGON (cont.)

MODEL NO.	A/F mm	T mm	D mm	OAL mm	Wt. lbs.
SMSW62	62	28.0	94.0	265.0	2.500
SMSW65	65	30.0	104.0	285.0	2.710
SMSW67	67	30.0	104.0	285.0	2.770
SMSW70	70	35.0	110.0	315.0	3.410
SMSW73	73	35.0	110.0	315.0	3.410
SMSW75	75	35.0	110.0	315.0	3.400
SMSW76	76	35.0	110.0	315.0	3.370
SMSW80	80	38.0	126.0	340.0	4.860
SMSW85	85	38.0	126.0	340.0	4.400
SMSW86	86	38.0	126.0	340.0	4.300
SMSW90	90	42.0	152.0	400.0	4.650
SMSW95	95	42.0	152.0	400.0	4.360
SMSW100	100	42.0	152.0	400.0	7.490
SMSW105	105	50.0	172.0	410.0	10.580
SMSW110	110	50.0	172.0	435.0	11.670
SMSW115	115	50.0	172.0	435.0	10.760
SMSW120	120	56.0	194.0	475.0	16.070
SMSW125	125	56.0	194.0	475.0	16.960
SMSW130	130	60.0	205.0	505.0	16.850
SMSW135	135	60.0	205.0	510.0	16.550
SMSW140	140	65.0	230.0	565.0	19.000
SMSW145	145	65.0	230.0	565.0	18.810
SMSW150	150	65.0	230.0	565.0	18.550
SMSW155	155	65.0	230.0	565.0	18.350
SMSW160	160	70.0	270.0	635.0	29.900
SMSW165	165	70.0	270.0	635.0	29.700
SMSW170	170	70.0	270.0	635.0	29.250
SMSW175	175	70.0	270.0	635.0	28.850
SMSW180	180	70.0	270.0	635.0	28.500
SMSW185	185	75.0	295.0	680.0	35.600
SMSW190	190	75.0	295.0	680.0	35.400
SMSW195	195	75.0	295.0	680.0	35.200
SMSW200	200	75.0	295.0	680.0	34.900
SMSW205	205	75.0	295.0	680.0	34.700
SMSW210	210	80.0	325.0	725.0	50.850
SMSW215	215	80.0	325.0	725.0	50.550
SMSW220	220	80.0	325.0	725.0	50.100
SMSW225	225	80.0	325.0	725.0	49.800
SMSW230	230	80.0	325.0	725.0	49.500



STRAIGHT RING TYPE :

FRACTIONAL BIHEXAGON

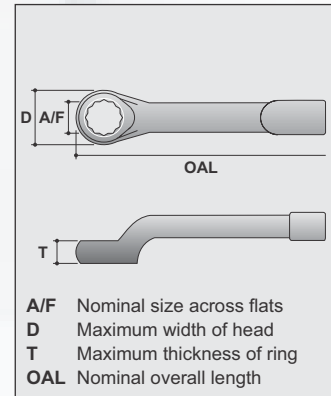
MODEL NO.	A/F inch	T mm	D mm	OAL mm	Wt. lbs.
SASW12	3/4"	0.708	1.889	7.165	1.390
SASW14	7/8	0.708	1.889	7.165	1.390
SASW15	15/16	0.708	1.889	7.165	1.340
SASW16	1	0.708	1.889	7.165	1.320
SASW17	1.1/16	0.708	1.889	7.165	1.300
SASW18	1.1/8	0.708	2.125	7.283	1.365
SASW19	1.3/16	0.708	2.125	7.283	1.200
SASW20	1.1/4	0.708	2.125	7.283	1.500
SASW21	1.5/16	0.708	2.125	7.283	1.200
SASW22	1.3/8	0.708	2.125	7.283	1.200
SASW23	1.7/16	0.866	2.519	8.464	2.300
SASW24	1.1/2	0.866	2.519	8.464	2.400
SASW25	1.9/16	0.866	2.519	8.464	2.350
SASW26	1.5/8	0.866	2.519	8.464	2.300
SASW27	1.11/16	0.984	2.992	9.370	3.080
SASW28	1.3/4	0.984	2.992	9.370	3.080
SASW29	1.13/16	0.984	2.992	9.370	3.080
SASW30	1.7/8	0.984	2.992	9.370	3.230
SASW31	1.15/16	0.984	3.149	9.448	3.230
SASW32	2	0.984	3.149	9.448	3.080
SASW33	2.1/16	0.984	3.149	9.448	2.930
SASW34	2.1/8	0.984	3.149	9.448	3.020
SASW35	2.3/16	1.102	3.464	10.314	4.840
SASW36	2.1/4	1.102	3.464	10.314	4.970
SASW37	2.5/16	1.102	3.700	10.433	4.990
SASW38	2.3/8	1.102	3.700	10.433	5.040
SASW39	2.7/16	1.102	3.700	10.433	4.700
SASW40	2.1/2	1.102	3.700	10.433	3.080
SASW41	2.9/16	1.181	4.094	11.220	5.875
SASW42	2.5/8	1.181	4.094	11.220	7.500
SASW43	2.11/16	1.181	4.094	11.220	7.500
SASW44	2.3/4	1.377	4.330	12.401	7.500
SASW45	2.13/16	1.377	4.330	12.401	7.180
SASW46	2.7/8	1.377	4.330	12.401	7.195
SASW47	2.15/16	1.377	4.330	12.401	7.200
SASW48	3	1.377	4.330	12.401	7.400
SASW49	3.1/16	1.496	4.960	13.385	9.130
SASW50	3.1/8	1.496	4.960	13.385	8.910
SASW51	3.3/16	1.496	4.960	13.385	9.130
SASW52	3.1/4	1.496	4.960	13.385	9.350
SASW53	3.5/16	1.496	4.960	13.385	9.570
SASW54	3.3/8	1.496	4.960	13.385	9.680
SASW55	3.7/16	1.653	5.984	15.748	9.460
SASW56	3.1/2	1.653	5.984	15.748	9.460
SASW57	3.9/16	1.653	5.984	15.748	9.500
SASW58	3.5/8	1.653	5.984	15.748	9.480
SASW59	3.11/16	1.653	5.984	15.748	9.530
SASW60	3.3/4	1.653	5.984	15.748	9.590
SASW61	3.13/16	1.653	5.984	15.748	9.640

FRACTIONAL BIHEXAGON(cont.)

MODEL NO.	A/F inch	T mm	D mm	OAL mm	Wt. lbs.
SASW62	3.7/8	1.653	5.984	15.748	15.000
SASW63	3.15/16	1.653	5.984	15.748	16.480
SASW64	4	1.653	5.984	15.748	19.470
SASW65	4.1/16	1.653	5.984	15.748	19.690
SASW66	4.1/8	1.968	6.771	16.141	23.280
SASW67	4.3/16	1.968	6.771	16.141	23.100
SASW68	4.1/4	1.968	6.771	16.141	22.800
SASW69	4.5/16	1.968	6.771	17.125	24.550
SASW70	4.3/8	1.968	6.771	17.125	24.200
SASW71	4.7/16	1.968	6.771	17.125	23.980
SASW72	4.1/2	1.968	6.771	17.125	23.670
SASW74	4.5/8	2.204	7.637	18.700	29.480
SASW76	4.3/4	2.204	7.637	18.700	29.700
SASW78	4.7/8	2.204	7.637	18.700	37.310
SASW80	5	2.204	8.070	19.881	36.850
SASW82	5.1/8	2.204	8.070	19.881	36.630
SASW83	5.3/16	2.204	8.070	19.881	36.520
SASW84	5.1/4	2.204	8.070	19.881	36.520
SASW86	5.3/8	2.559	9.055	22.244	43.560
SASW88	5.1/2	2.559	9.055	22.244	41.800
SASW90	5.5/8	2.559	9.055	22.244	41.580
SASW92	5.3/4	2.559	9.055	22.244	41.560
SASW94	5.7/8	2.559	9.055	22.244	40.810
SASW96	6	2.559	9.055	22.244	40.370
SASW98	6.1/8	2.559	9.055	22.244	39.820
SASW100	6.1/4	2.755	10.629	25.000	66.550
SASW102	6.3/8	2.755	10.629	25.000	66.000
SASW104	6.1/2	2.755	10.629	25.000	65.340
SASW106	6.5/8	2.755	10.629	25.000	65.120
SASW108	6.3/4	2.755	10.629	25.000	64.240
SASW110	6.7/8	2.755	10.629	25.000	63.470
SASW112	7	2.755	10.629	25.000	63.030
SASW114	7.1/8	2.952	11.614	26.771	78.760
SASW116	7.1/4	2.952	11.614	26.771	78.320
SASW118	7.3/8	2.952	11.614	26.771	78.100
SASW120	7.1/2	2.952	11.614	26.771	78.880
SASW122	7.5/8	2.952	11.614	26.771	77.660
SASW124	7.3/4	2.952	11.614	26.771	77.440
SASW125	7.13/16	2.952	11.614	26.771	76.780
SASW126	7.7/8	2.952	11.614	26.771	76.120
SASW128	8	2.952	11.614	26.771	76.560
SASW130	8.1/8	3.149	12.795	28.543	112.420
SASW132	8.1/4	3.149	12.795	28.543	111.540
SASW134	8.3/8	3.149	12.795	28.543	110.660
SASW136	8.1/2	3.149	12.795	28.543	110.220
SASW138	8.5/8	3.149	12.795	28.543	109.780
SASW142	8.7/8	3.149	12.795	28.543	109.340
SASW144	9	3.149	12.795	28.543	108.900



TUBE TOOLS



OFFSET RING TYPE :

METRIC BIHEXAGON

MODEL NO.	A / F mm	T mm	D mm	OAL mm	Wt. kg.
SMOSW19	19	20.0	42.0	250.0	1.000
SMOSW22	22	20.0	42.0	250.0	1.000
SMOSW24	24	20.0	42.0	250.0	1.000
SMOSW27	27	25.0	52.0	270.0	1.060
SMOSW30	30	25.0	52.0	270.0	1.150
SMOSW32	32	25.0	52.0	270.0	1.290
SMOSW34	34	25.0	52.0	270.0	1.640
SMOSW35	35	32.0	68.0	312.0	1.550
SMOSW36	36	32.0	68.0	312.0	1.500
SMOSW38	38	32.0	68.0	312.0	1.750
SMOSW40	40	32.0	68.0	312.0	1.950
SMOSW41	41	32.0	68.0	312.0	2.150
SMOSW43	43	35.0	82.0	340.0	2.850
SMOSW46	46	35.0	82.0	340.0	2.630
SMOSW47	47	35.0	82.0	340.0	2.610
SMOSW48	48	35.0	82.0	340.0	2.600
SMOSW49	49	35.0	82.0	340.0	2.450
SMOSW50	50	35.0	82.0	340.0	2.350
SMOSW51	51	35.0	82.0	340.0	3.190
SMOSW52	52	38.0	82.0	360.0	3.000
SMOSW54	54	38.0	82.0	360.0	3.000
SMOSW55	55	38.0	82.0	360.0	2.930
SMOSW56	56	38.0	82.0	360.0	2.980
SMOSW57	57	38.0	82.0	360.0	4.850
SMOSW58	58	38.0	82.0	360.0	4.750
SMOSW59	59	38.0	82.0	360.0	4.900
SMOSW60	60	44.0	110.0	380.0	4.430
SMOSW61	61	44.0	110.0	380.0	4.350
SMOSW62	62	44.0	110.0	380.0	4.300
SMOSW65	65	44.0	110.0	380.0	5.650
SMOSW67	67	44.0	110.0	380.0	5.500
SMOSW70	70	50.0	127.0	400.0	7.320
SMOSW73	73	50.0	127.0	400.0	7.000
SMOSW75	75	50.0	127.0	400.0	6.880
SMOSW76	76	50.0	127.0	400.0	6.750
SMOSW80	80	50.0	127.0	400.0	8.630
SMOSW85	85	50.0	127.0	400.0	7.480
SMOSW86	86	57.0	152.0	465.0	9.100
SMOSW90	90	57.0	152.0	465.0	8.970
SMOSW95	95	57.0	152.0	465.0	11.680
SMOSW100	100	57.0	152.0	465.0	11.470
SMOSW105	105	63.5	194.0	540.0	12.000
SMOSW110	110	63.5	194.0	540.0	11.740
SMOSW115	115	63.5	194.0	540.0	11.710
SMOSW120	120	63.5	194.0	540.0	11.550
SMOSW125	125	63.5	194.0	540.0	11.250
SMOSW130	130	63.5	194.0	540.0	11.050

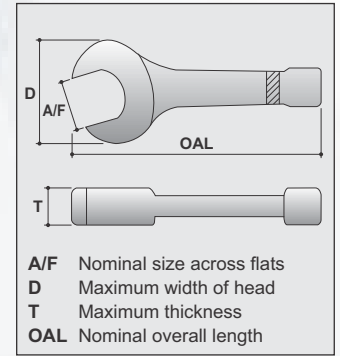
FRACTIONAL BIHEXAGON

MODEL NO.	A / F inch	T inch	D inch	OAL inch	Wt. lbs.
SAOSW15	15/16	0.787	1.653	9.842	2.160
SAOSW16	1	0.787	1.653	9.842	2.200
SAOSW17	1.1/16	0.984	2.047	10.629	2.330
SAOSW18	1.1/8	0.984	2.047	10.629	2.220
SAOSW19	1.3/16	0.984	2.047	10.629	2.420
SAOSW20	1.1/4	0.984	2.047	10.629	2.530
SAOSW21	1.5/16	0.984	2.047	10.629	4.070
SAOSW22	1.3/8	1.259	2.677	12.283	3.520
SAOSW23	1.7/16	1.259	2.677	12.283	3.300
SAOSW24	1.1/2	1.259	2.677	12.283	3.890
SAOSW26	1.5/8	1.259	2.677	12.283	4.730
SAOSW27	1.11/16	1.377	3.228	13.385	4.950
SAOSW28	1.3/4	1.377	3.228	13.385	4.840
SAOSW29	1.13/16	1.377	3.228	13.385	6.050
SAOSW30	1.7/8	1.377	3.228	13.385	6.530
SAOSW32	2	1.377	3.228	13.385	6.290
SAOSW33	2.1/16	1.496	3.228	14.173	13.180
SAOSW35	2.3/16	1.496	3.228	14.173	13.130
SAOSW36	2.1/4	1.496	3.228	14.173	11.960
SAOSW37	2.5/16	1.496	3.228	14.173	11.550
SAOSW38	2.3/8	1.732	4.330	14.960	11.180
SAOSW39	2.7/16	1.732	4.330	14.960	16.940
SAOSW40	2.1/2	1.732	4.330	14.960	16.940
SAOSW41	2.9/16	1.732	4.330	14.960	16.830
SAOSW42	2.5/8	1.732	4.330	14.960	16.280
SAOSW44	2.3/4	1.968	5.000	15.748	16.104
SAOSW45	2.13/16	1.968	5.000	15.748	15.730
SAOSW46	2.7/8	1.968	5.000	15.748	15.400
SAOSW47	2.15/16	1.968	5.000	15.748	15.400
SAOSW48	3	1.968	5.000	15.748	15.140
SAOSW50	3.1/8	1.968	5.000	15.748	14.740
SAOSW54	3.3/8	2.244	5.984	18.307	23.500
SAOSW56	3.1/2	2.244	5.984	18.307	23.430
SAOSW60	3.3/4	2.244	5.984	18.307	23.210
SAOSW62	3.7/8	2.244	5.984	18.307	22.550
SAOSW63	3.15/16	2.244	5.984	18.307	22.220
SAOSW66	4.1/8	2.480	7.637	21.259	26.400
SAOSW68	4.1/4	2.480	7.637	21.259	26.290
SAOSW69	4.5/16	2.480	7.637	21.259	25.830
SAOSW72	4.1/2	2.480	7.637	21.259	25.480
SAOSW74	4.5/8	2.480	7.637	21.259	24.970
SAOSW76	4.3/4	2.480	7.637	21.259	24.420
SAOSW78	4.7/8	2.480	7.637	21.259	24.200
SAOSW80	5	2.480	7.637	21.259	23.870
SAOSW82	5.1/8	2.480	7.637	21.259	23.430

SLUGGING / STRIKING WRENCHES



TUBE TOOLS



STRAIGHT OPEN JAW TYPE : METRIC SIZES

MODEL NO.	A/F mm	T mm	D mm	OAL mm
SMOJ19	19	17	58	175
SMOJ22	22	17	58	175
SMOJ24	24	17	58	175
SMOJ27	27	17	58	175
SMOJ30	30	18	66	190
SMOJ32	32	18	66	190
SMOJ34	34	18	73	200
SMOJ36	36	20	78	205
SMOJ38	38	20	90	225
SMOJ41	41	20	90	225
SMOJ46	46	22	100	245
SMOJ50	50	22	110	270
SMOJ55	55	25	120	300
SMOJ60	60	25	130	310
SMOJ65	65	30	142	340
SMOJ70	70	32	156	370
SMOJ75	75	32	164	370
SMOJ80	80	35	175	395
SMOJ85	85	35	175	395
SMOJ90	90	40	197	440
SMOJ95	95	40	197	440
SMOJ100	100	48	230	480
SMOJ105	105	48	230	480
SMOJ110	110	50	238	505
SMOJ115	115	56	250	505
SMOJ120	120	56	258	530
SMOJ130	130	56	278	560
SMOJ135	135	56	278	560
SMOJ145	145	62	308	630
SMOJ150	150	62	308	630
SMOJ155	155	62	308	630
SMOJ165	165	70	345	705
SMOJ170	170	70	345	705
SMOJ175	175	70	345	705
SMOJ180	180	70	345	705
SMOJ200	200	75	405	760
SMOJ215	215	80	425	830
SMOJ230	230	80	475	830

FRACTIONAL SIZES

MODEL NO.	A/F inch	T mm	D mm	OAL mm
SAOJ12	3/4"	0.669	2.283	6.890
SAOJ14	7/8"	0.669	2.283	6.890
SAOJ15	15/16	0.669	2.283	6.890
SAOJ17	1.1/16	0.669	2.283	6.890
SAOJ18	1.1/8	0.708	2.598	7.480
SAOJ20	1.1/4	0.708	2.598	7.480
SAOJ21	1.5/16	0.708	2.874	7.874
SAOJ22	1.3/8	0.708	2.874	7.874
SAOJ23	1.7/16	0.787	3.071	8.071
SAOJ24	1.1/2	0.787	3.543	8.858
SAOJ26	1.5/8	0.787	3.543	8.858
SAOJ27	1.11/16	0.787	3.543	8.858
SAOJ29	1.13/16	0.866	3.937	9.646
SAOJ30	1.7/8	0.866	4.331	10.630
SAOJ32	2	0.866	4.331	10.630
SAOJ33	2.1/16	0.984	4.724	11.811
SAOJ35	2.3/16	0.984	4.724	11.811
SAOJ36	2.1/4	0.984	5.118	11.811
SAOJ38	2.3/8	0.984	5.118	12.204
SAOJ39	2.7/16	1.181	5.590	13.385
SAOJ41	2.9/16	1.181	5.590	13.385
SAOJ42	2.5/8	1.259	6.141	14.567
SAOJ44	2.3/4	1.259	6.141	14.567
SAOJ45	2.13/16	1.259	6.457	14.567
SAOJ47	2.15/16	1.259	6.457	14.567
SAOJ48	3	1.259	6.457	14.567
SAOJ50	3.1/8	1.378	6.890	15.551
SAOJ51	3.3/8	1.378	6.890	15.551
SAOJ56	3.1/2	1.575	7.756	17.323
SAOJ60	3.3/4	1.575	7.756	17.323
SAOJ62	3.7/8	1.890	9.055	18.898
SAOJ66	4.1/8	1.890	9.055	18.898
SAOJ68	4.1/4	1.968	9.370	19.882
SAOJ72	4.1/2	2.204	9.842	19.882
SAOJ74	4.5/8	2.204	10.157	20.866
SAOJ78	4.7/8	2.204	10.945	20.866
SAOJ80	5	2.204	10.945	22.047
SAOJ84	5.1/4	2.204	10.945	22.047
SAOJ86	5.3/8	2.204	10.945	22.047
SAOJ90	5.5/8	2.441	12.126	24.803
SAOJ92	5.3/4	2.441	12.126	24.803
SAOJ96	6	2.441	12.126	24.803
SAOJ98	6.1/8	2.441	12.126	24.803
SAOJ104	6.1/2	2.756	13.582	27.756
SAOJ110	6.7/8	2.756	13.582	27.756
SAOJ114	7.1/8	2.756	13.582	27.756
SAOJ116	7.1/4	2.756	15.157	29.921
SAOJ122	7.5/8	2.756	15.157	29.921
SAOJ126	7.7/8	2.952	15.945	29.921
SAOJ128	8	2.952	15.945	29.921
SAOJ134	8.3/8	3.150	16.732	32.677
SAOJ140	8.3/4	3.150	17.520	32.677
SAOJ146	9.1/8	3.150	18.700	32.677

